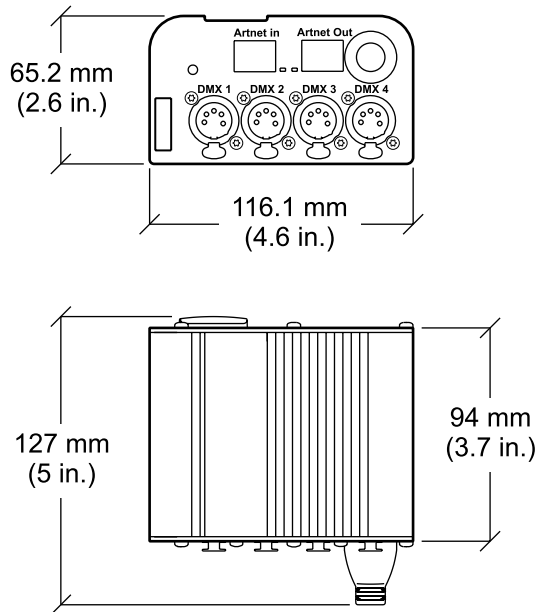


SGM[®] A4
ARTNET-DMX
CONVERTER



A4 Artnet-DMX Converter dimensions



*Measurements in millimeters
and inches (in brackets).
Drawing not to scale.*

A4 ARTNET-DMX CONVERTER USER MANUAL REV. 1

© 2012 SGM™. Information subject to change without notice. SGM and all affiliated companies disclaim liability for any injury, damage, direct or indirect loss, consequential or economic loss or any other loss occasioned by the use of, inability to use or reliance on the information contained in this manual. The SGM logo, the SGM name and all other trademarks in this document pertaining to services or products by SGM or its affiliates and subsidiaries are trademarks owned or licensed by SGM or its affiliates or subsidiaries.

This edition applies to firmware version 1 or later.

English edition

Overview

The SGM A4 Artnet-DMX Converter enables Artnet-DMX control of up to four DMX universes, or up to 20 DMX universes when (a maximum of) up to five A4s are daisy-chained together using the Artnet input and output sockets.

The A4 can operate on 100-240 V, 50/60 Hz mains supplies. A 1-meter (3.3 ft) long power cable is hard wired to the unit; do not open the unit to replace this. The power cable may be fitted with a power cord cap (not supplied). For permanent installation, have a qualified electrician wire the mains cable directly to a suitable branch circuit.

Configuring an A4

A4 units are configured using the *SGM Artnet Configurator*, a Windows-based application that is available from the SGM website: <http://www.sgmlight.com>, or provided on portable media with your A4 unit. The application runs on personal computers running Windows Vista or Windows 7 operating systems.

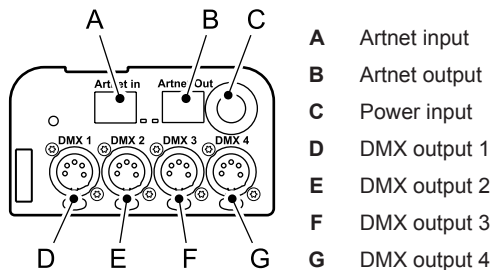
For data communication to function, the A4 and the PC must be on the same subnet of the same local area network (LAN) with IP addresses assigned by a router with a DHCP server in the 2.x.x.x range (which are IP addresses used and recognised by artnet). The router itself must also be assigned a 2.x.x.x IP address. Most routers use either the 192.x.x.x or 10.x.x.x IP address ranges by default. Consult your router user manual for directions about how to reset the router IP address to a 2.x.x.x value, such as 2.0.0.1. Once this has been done, and the router has been re-booted, most routers that use DHCP will generally automatically assign 2.x.x.x addresses to the fixtures connected to their LAN.

See the *SGM Artnet Configurator User Manual* (available from the SGM website: <http://www.sgmlight.com>), for further instructions on how to configure and use the A4 using the SGM Artnet Configurator.

Physical data connection

The fixture has four 5-pin DMX outputs. The pin-out on all DMX connectors is pin 1 = shield, pin 2 = cold (-), pin 3 = hot (+), pin 4 = data 2 cold (-) and pin 5 = data 2 hot (+).

RJ45 input and output sockets are provided for artnet support and the pinout conforms to artnet/ethernet standards.



- A** Artnet input
- B** Artnet output
- C** Power input
- D** DMX output 1
- E** DMX output 2
- F** DMX output 3
- G** DMX output 4

Service

There are no user-serviceable components in the device. Do not open the A4, as doing so is likely to damage it.

Consult your SGM dealer if the device operates abnormally, is defective or otherwise in need of service or repair.

Specifications

PHYSICAL

Length x depth x height 116 x 94 x 65 mm (4.6 x 3.7 x 2.6 in.)
Weight 862 grams (30 ounces)

CONSTRUCTION

Housing Steel

INSTALLATION

Orientation Any

OPERATING CONDITIONS

Ambient temperature range (T_a) -10° to 40° C (14° to 104° F)
Maximum relative humidity 98%

PROGRAMMING AND CONTROL

Control interface Artnet/USITT DMX 512-A
DMX universes 4
Daisy-chaining to other A4 units Maximum of 5 units on one chain
Configuration Using SGM Artnet-DMX Configurator software

CONNECTIONS

Artnet.....RJ-45 input & output
DMX..... Four 5-pin DMX outputs

POWER SUPPLY ELECTRICAL

AC mains power in 100-240 V AC, 2-wire, + PE 50/60 Hz
Supplied cable length 1 meter (3.3 ft)
Current..... 0.15-0.08
Power 10 W



SGM A/S · Soeren Frichs Vej 51-53 · DK 8230 Aabyhoej · Denmark
Tel +45 70 20 74 00 · info@sgmlight.com · www.sgmlight.com